

# Electrical Lockouts

Master Lock offers innovative, patent pending devices for the effective lockout of electrical shut-off points, including circuit breakers, electrical plugs and wall switches.

## Grip Tight™ Circuit Breaker Lockout

Greatest Hold Strength Combined with Universal Fit

- Secure and simple mounting for a solid lockout. Grips tight with simple thumb turn and clamping handle.
- Exclusive design accommodates virtually all styles of breaker toggles
  - Model 491B is appropriate for tall and wide breaker toggles
  - Model 493B for standard height and tie-bar toggles
  - Model 506 is a set of both devices
- Narrow profile permits side-by-side breaker lockout
- Compact devices are easy to carry and easy to store
- Both devices accept all American Lock® and Master Lock® safety padlock shackle and lockout hasp diameters
- Durable construction with powder coated steel and reinforced polymer allows operation in harsh environments



493B



491B

Two Lockouts  
Replace Many



Master Lock Model #	Description
491B	Circuit Breaker Lockout – tall and wide toggles
493B	Circuit Breaker Lockout – standard single and double toggles
506	Set of each device – one 491B and one 493B

## Miniature Circuit Breaker Lockouts

Locks Out Most Miniature ISO/DIN Circuit Breakers Found Throughout the World

- S2390 fits standard width toggle openings. Pin out. Black Handle
- S2391 fits wide toggle openings. Pin out. Red Handle
- Works with all Master Lock and American Lock safety padlocks and lockout hasps
- Patent Pending



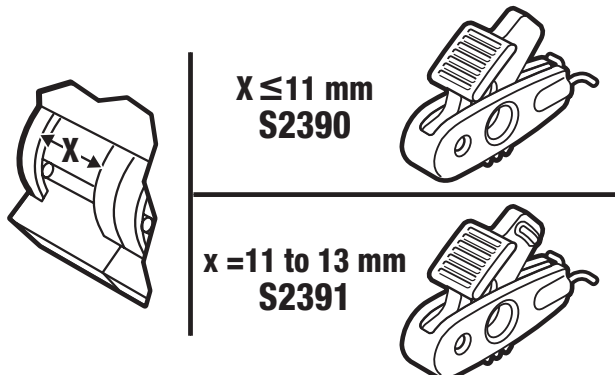
S2390



S2391



Master Lock Model #	Description
S2390	Fits breakers with toggle openings 11mm or less
S2391	Fits breakers with toggle openings 11mm to 13mm



**Allows Panel Door to Close**



7C5RED

## Circuit Breaker Switch Padlock

Provides the Flexibility to Effectively Lock Out Breaker Switches

- 3/16" diameter cable shackle allows padlock to properly lock all types of circuit breaker lockout devices
- Flexible cable allows the compact lock body to be positioned so that the control panel door closes properly
- Fits the tight space constraints within circuit breaker shutoff boxes
- Numerous key changes are available to minimize the possibility of unwanted key duplication

Master Lock Model #	Description
7C5RED	1-1/8" wide steel body; 4-pin cylinder; 5" flexible steel cable. Keyed Different.
7KAC5RED	1-1/8" wide steel body; 4-pin cylinder; 5" flexible steel cable. Keyed Alike.

## Universal Wall Switch Lockout

Locks Out Both Toggle and Decora Paddle Wall Switches

- Patent-pending design assures switch is locked on or off
- Hinges open for unobstructed normal operation of switch
- Includes English/Spanish and English/French labels

Master Lock Model #	Description
496B	Universal Wall Switch Lockout

**Patent-Pending Innovative Design**



496B



Toggle Switch



Paddle Switch



# Electrical Lockouts

## Rotating Electrical Plug Lockouts

Outward/Inward Rotation Allows for Easier Application & Storage

- Surrounds the electrical plug; protects against accidental reconnection
- Unique, patent-pending rotating design allows for easier installation in confined space applications
- Complete with high-visibility permanent safety labels (English, French & Spanish). Labels can be written-on to identify the responsible person, then erased for the next job.
- Tough, lightweight, dielectric Xenoy® thermoplastic bodies withstand chemicals; perform effectively in extreme conditions [temperature range -50° F (-46° C) to +350° F (177° C)]

**Exclusive  
Rotating Design**



## Compact Plug Prong Lockout

Compact Design Locks Out Smaller Plugs Easily & Effectively

- Locks on the prongs of 110-120 volt plugs
- Fits two prong plugs with and without ground
- Use with your existing lockout padlocks or lockout hasps
- Includes labels in English, Spanish, and French
- Patent Pending

Master Lock Model #	For Electrical Plug Sizes Up To:
487	2-1/4" dia. x 3-1/4" with cord dia. up to 3/4" (Most 110- and many 220-volt plugs)
488	3" dia. x 6" with cord dia. up to 3/4" (Most 220 – 550 volt plugs)
S2005	Fits 110-120-volt plugs (with or without ground)



S2005



488

\*Xenoy® is a registered trademark of General Electric Corporation.

## Oversized Plug & Hoist Control Cover

Effectively Locks Out Odd Size and Large Electrical Connectors and Hoist Controls

- Patent-pending lockout, the cinch sack offers broad application solutions
- Insert PVC tubing to block access to hoist control buttons.
- Flexible & durable rip-stop nylon bag fits easily in safety tool boxes
- Lock out with up to 6 padlocks or hasps

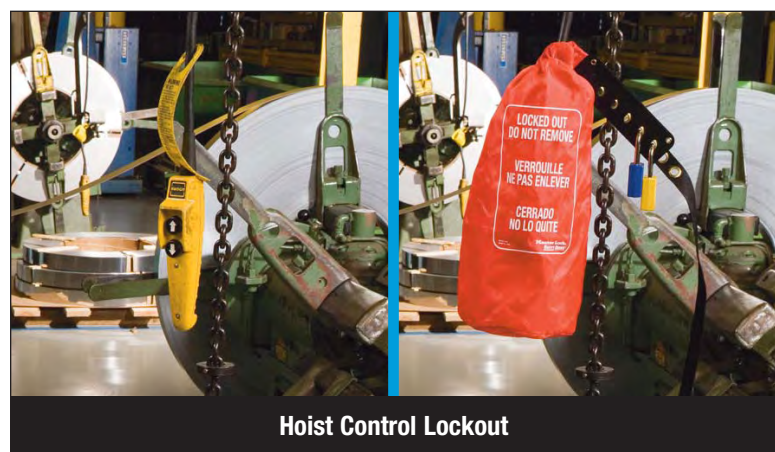
Master Lock Model #	For Electrical Plug Sizes Up To:	Dimensions
453L	Large Nylon Oversized Plug & Control Lockout	7" dia. x 17" tall
453XL	Extra Large Nylon Oversized Plug & Control Lockout	10" dia. x 26" tall
453XXL	Extra Extra Large Nylon Oversized Plug & Control Lockout	14" dia. x 36" tall



453L



Electrical Connector Lockout



Hoist Control Lockout